

IFP-0001-A



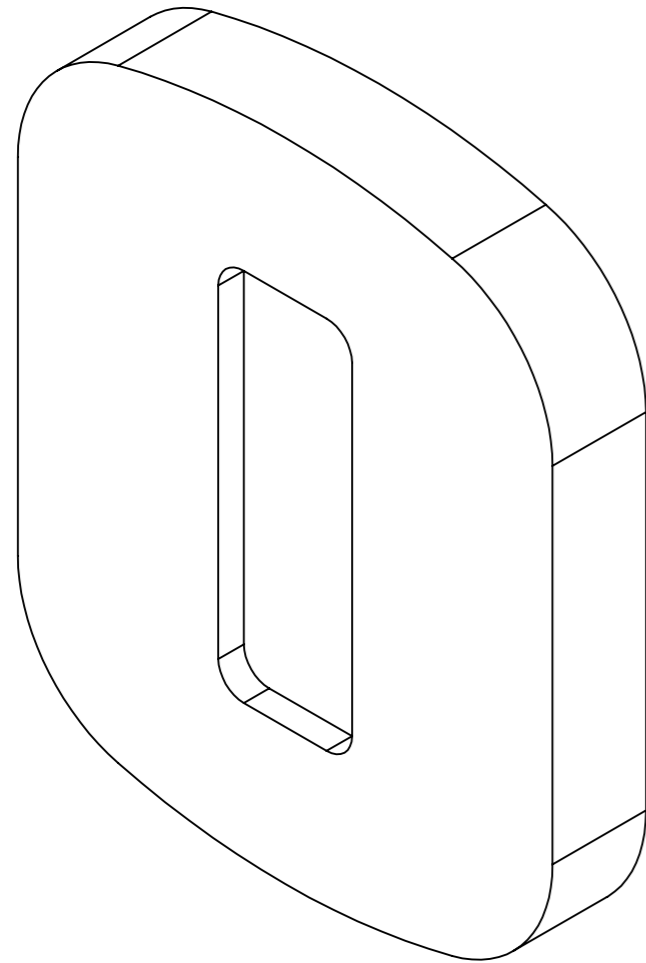
RECTANGLE FLUSH PULL - S1955/R1955 - FITTING INSTRUCTION

REBATE - 140MM (5-1/2") X 50MM (2")
9.5MM (3/8") DEEP

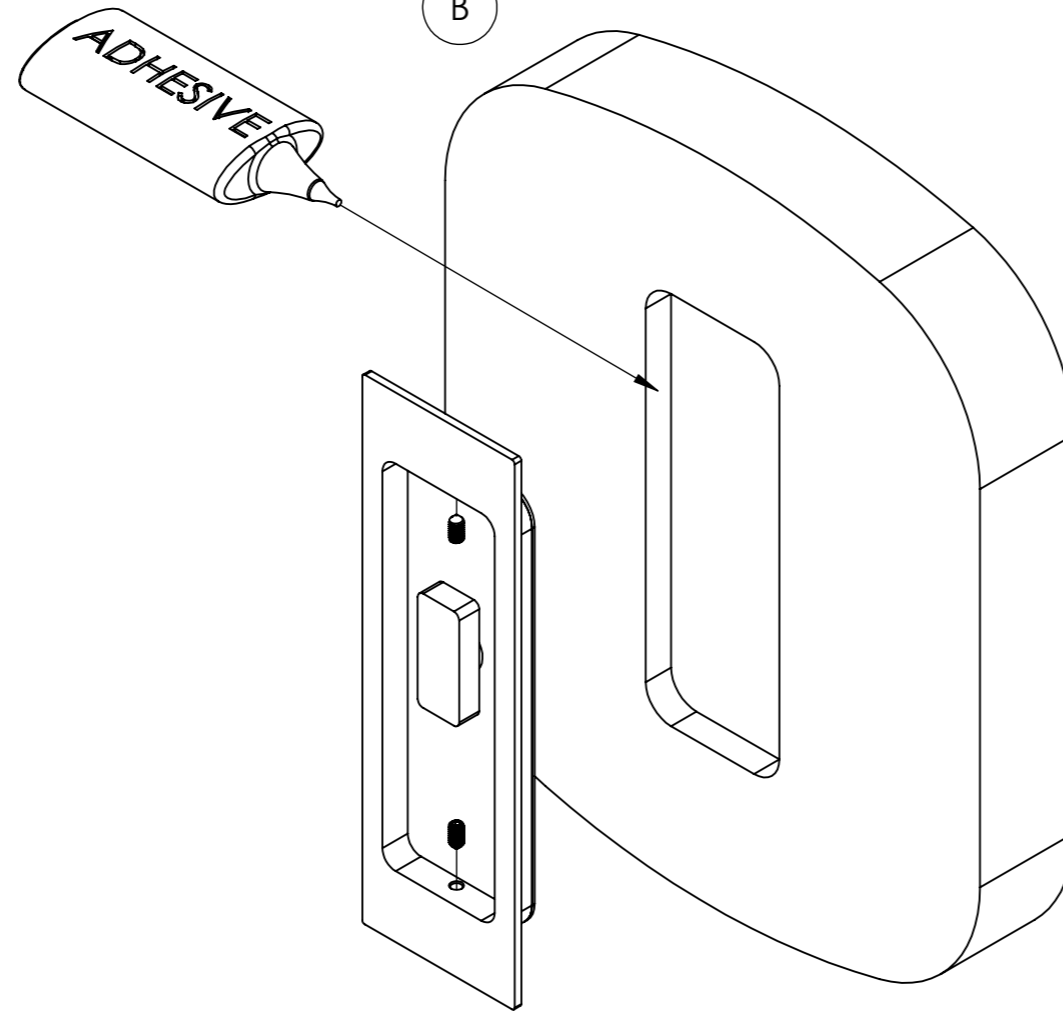
USE FITTING TEMPLATE TFP-001A

ADHESIVE NOT SUPPLIED BY
TURNSTYLE DESIGNS

A



B



C

