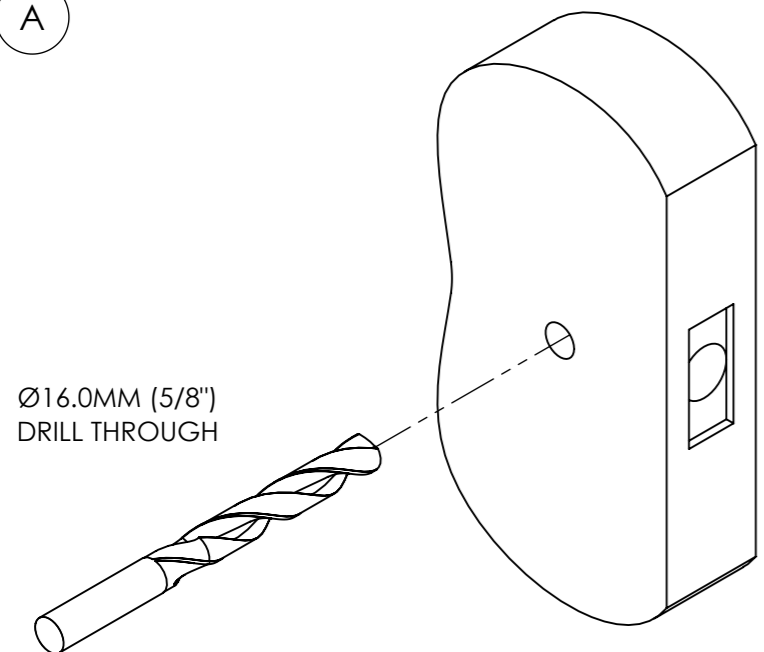


IMDK-005 - STACKED & LAYERED DOOR KNOB - FITTING INSTRUCTIONS



TUBULAR LATCH

A



Ø16.0MM (5/8")
DRILL THROUGH

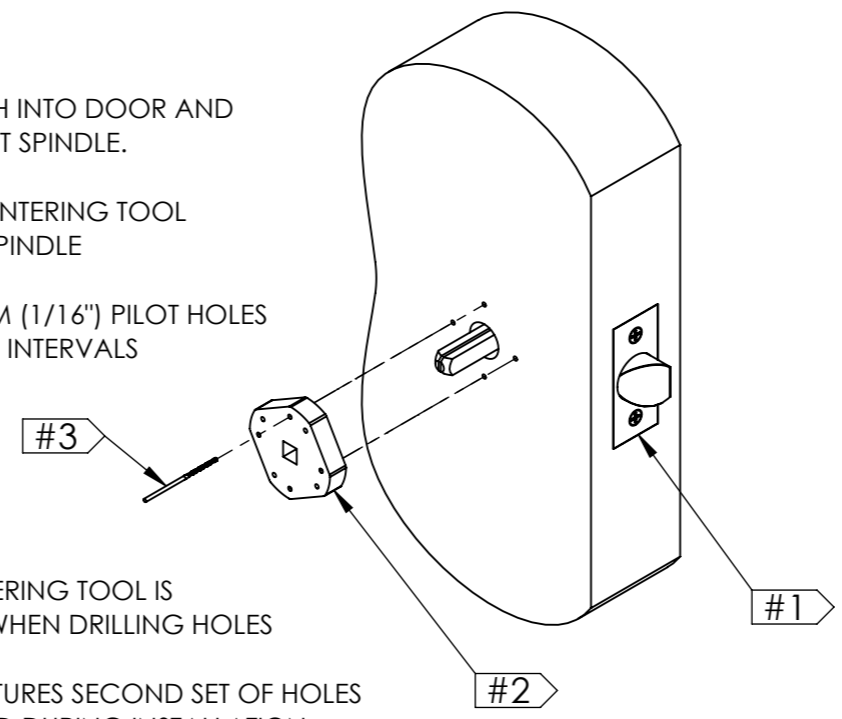
*FULLY INSTALL ONE HANDLE
BEFORE MOVING ONTO OTHER SIDE

B

1. INSTALL LATCH INTO DOOR AND INSERT SPINDLE.
2. PLACE CENTERING TOOL OVER SPINDLE
3. DRILL 4X Ø1.5MM (1/16") PILOT HOLES AT 90° INTERVALS

*ENSURE CENTERING TOOL IS
FLAT AGAINST DOOR WHEN DRILLING HOLES

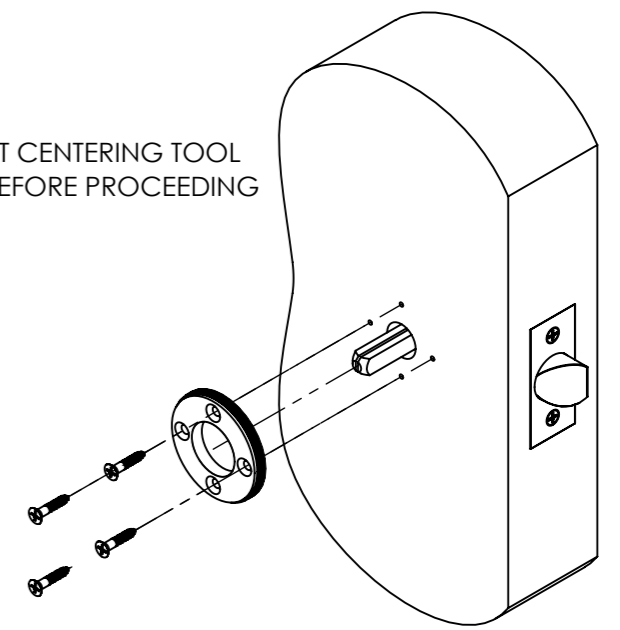
*CENTERING TOOL FEATURES SECOND SET OF HOLES
OFFSET, IF REQUIRED DURING INSTALLATION



C

*ENSURE THAT CENTERING TOOL
IS REMOVED BEFORE PROCEEDING

FIX INNER ROSE TO DOOR
USING WOOD SCREWS SUPPLIED

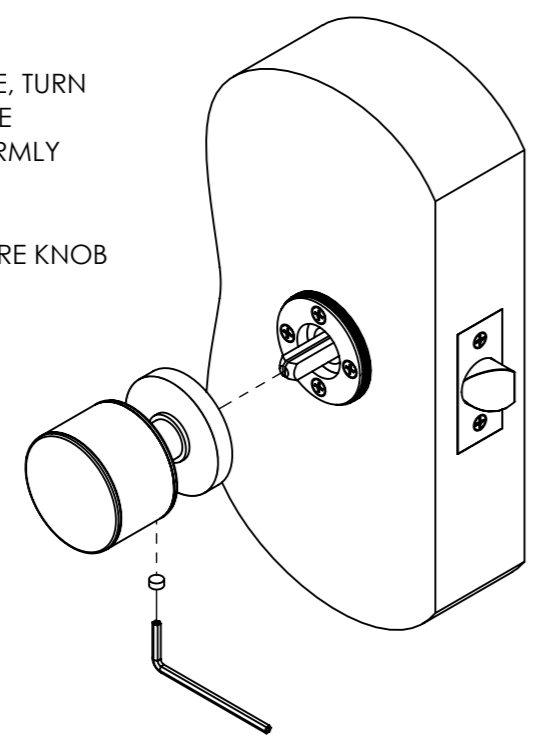


D

ALIGN OUTER AND INNER ROSE, TURN
OUTER ROSE CLOCKWISE
UNTIL THE ROSE IS SEATED FIRMLY
ON THE DOOR FACE.

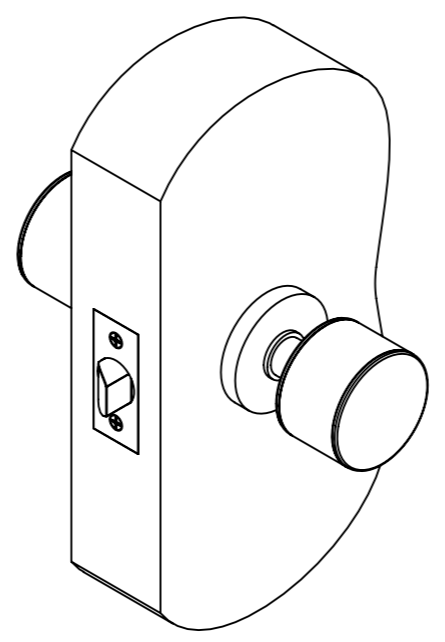
TIGHTEN GRUB SCREW TO SECURE KNOB
TO SPINDLE

*DO NOT FORCE INNER AND OUTER ROSE
TOGETHER, THIS WILL DAMAGE THE INNER ROSE



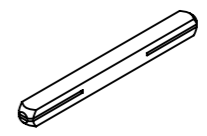





E

REPEAT INSTRUCTIONS FOR OTHER SIDE
OF DOOR



FIXING KIT

-  THREADED INNER ROSE (X2)
-  CENTERING TOOL (X1)
-  SPINDLE (X1)
-  FIXING SCREWS (X8)
-  GRUB SCREW (X2)
-  ALLEN KEY (X1)