

# ECHO

**Echo was inspired by the central hub of any kitchen, the cooker.**

Christina has created an edge pull which aims to support the look and feel of a British classic, the Range cooker. The Range is known for its strong, timeless industrial qualities and she wanted to create hardware which embodies the strength and reliability, while ensuring a sophisticated look. The most important aspect of the design was to have a deeper leading edge than others on the market, to create a stronger line and distinctive feel.

For balance, she gently rounded and broadened the front section creating a rolled edge, helping to lighten and soften the overall design. Christina has produced a design that is ultimately easy to grab when needed. This heavy weighted statement piece complements the more serious kitchen but can be used throughout interior projects.

The Echo is available hand hammered, adding a further dimension and texture to the design. With nine different solid metal finishes and six hammered finishes, these pulls will stand out in any project.

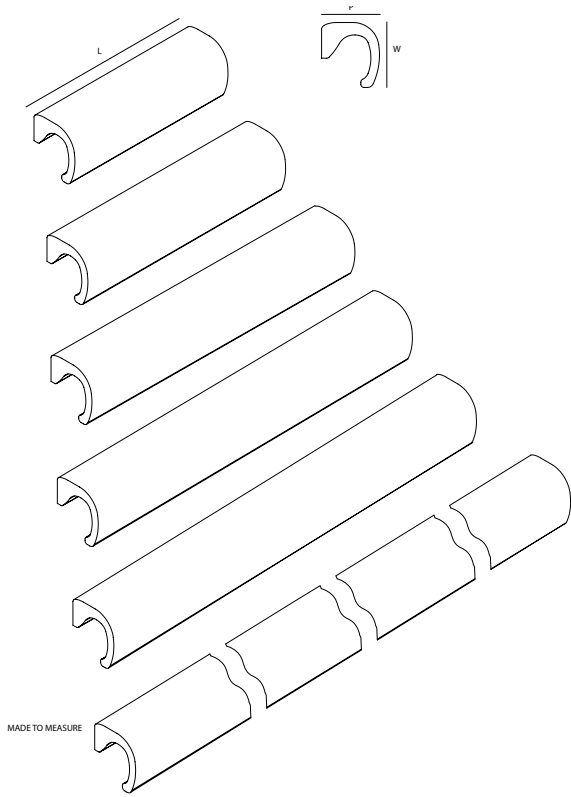
Our living finishes are designed to change and develop over time and with use. This aging process can transform the finish and intensify the look. Brass components are polished and then treated using several different techniques to change the surface, either by accelerated aging, as with Vintage and Burnished finishes, or brushing as with our Satin Brass.

We offer five standard sizes, 50mm, 100mm, 150mm, 200mm and 300mm. However, to allow further customisation we are now offering a 'made to measure' service up to 1 metre.



# SOLID

## ECHO CABINET HANDLE - S1101

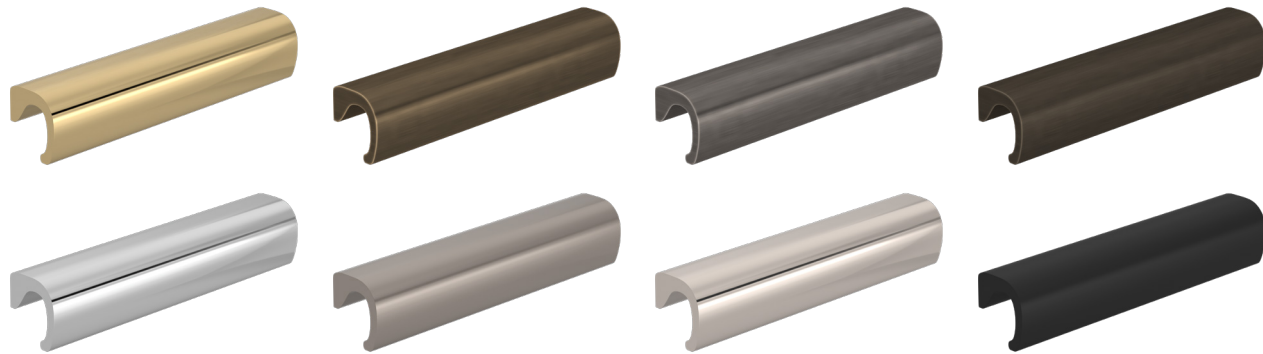
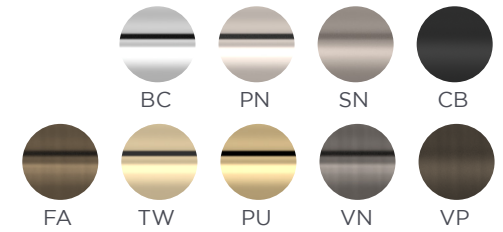


| NAME                      | CODE  | LENGTH  | DIMENSIONS (MM) |            |       |
|---------------------------|-------|---------|-----------------|------------|-------|
|                           |       |         | FIXING CENTRES  | PROJECTION | WIDTH |
| ECHO CABINET PULL - 50mm  | S1101 | 50      | 32              | 27         | 30    |
| ECHO CABINET PULL - 100mm | S1101 | 100     | 64              | 27         | 30    |
| ECHO CABINET PULL - 150mm | S1101 | 150     | 128             | 27         | 30    |
| ECHO CABINET PULL - 200mm | S1101 | 200     | 160             | 27         | 30    |
| ECHO CABINET PULL - 300mm | S1101 | 300     | 256             | 27         | 30    |
| MADE TO MEASURE*          | -     | 51-1000 | -               | 27         | 30    |

- 5 stock lengths

\*Made to measure service from 51 to 1000mm. Contact [sales@turnstyledesigns.com](mailto:sales@turnstyledesigns.com) for further details.

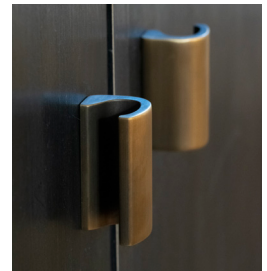
### METAL FINISHES



### HORIZONTAL INSTALL



### VERTICAL INSTALL

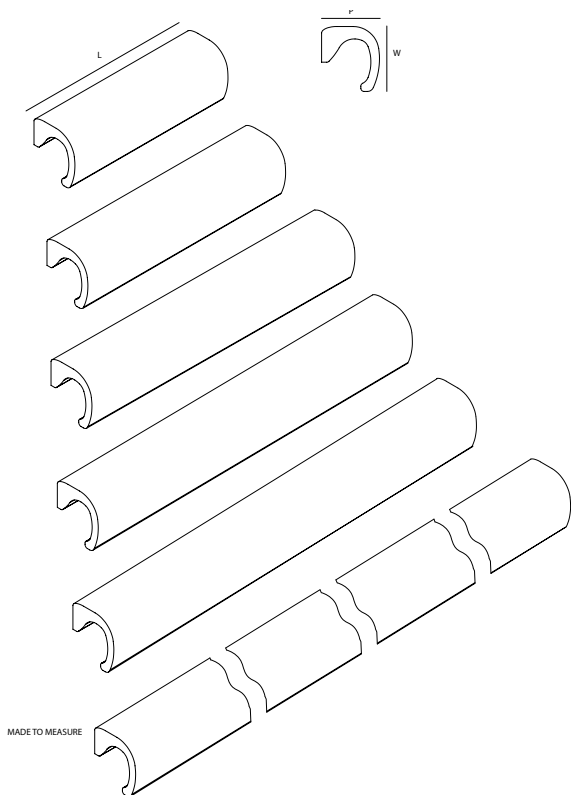


MADE TO MEASURE SERVICE AVAILABLE



# SOLID HAMMERED

## ECHO CABINET HANDLE - HS1101

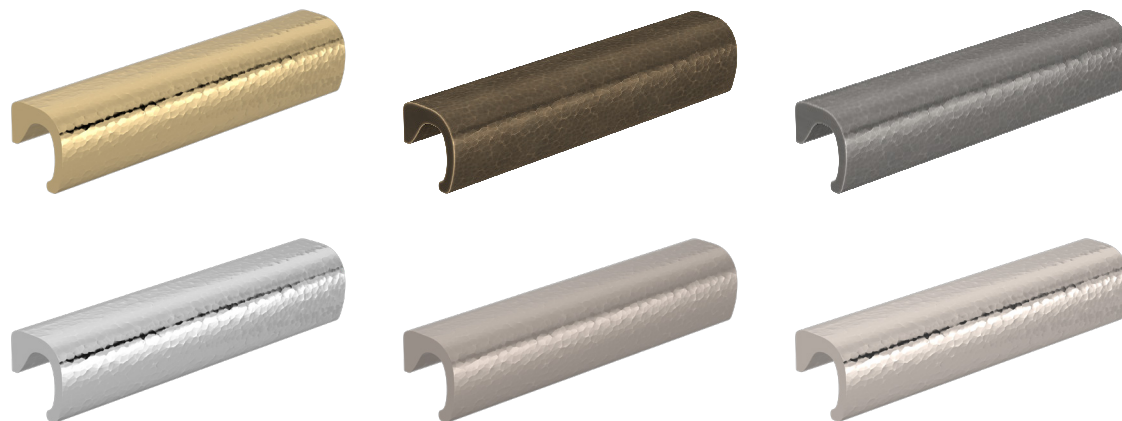
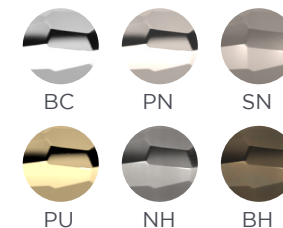


| NAME                      | CODE   | LENGTH  | DIMENSIONS (MM) |            |       |
|---------------------------|--------|---------|-----------------|------------|-------|
|                           |        |         | FIXING CENTRES  | PROJECTION | WIDTH |
| ECHO CABINET PULL - 50mm  | HS1101 | 50      | 32              | 27         | 30    |
| ECHO CABINET PULL - 100mm | HS1101 | 100     | 64              | 27         | 30    |
| ECHO CABINET PULL - 150mm | HS1101 | 150     | 128             | 27         | 30    |
| ECHO CABINET PULL - 200mm | HS1101 | 200     | 160             | 27         | 30    |
| ECHO CABINET PULL - 300mm | HS1101 | 300     | 256             | 27         | 30    |
| MADE TO MEASURE*          | -      | 51-1000 | -               | 27         | 30    |

- 5 stock lengths

\*Made to measure service from 51 to 1000mm. Contact [sales@turnstyledesigns.com](mailto:sales@turnstyledesigns.com) for further details.

### SOLID HAMMERED FINISHES



### HORIZONTAL INSTALL



### VERTICAL INSTALL



MADE TO MEASURE SERVICE AVAILABLE

